

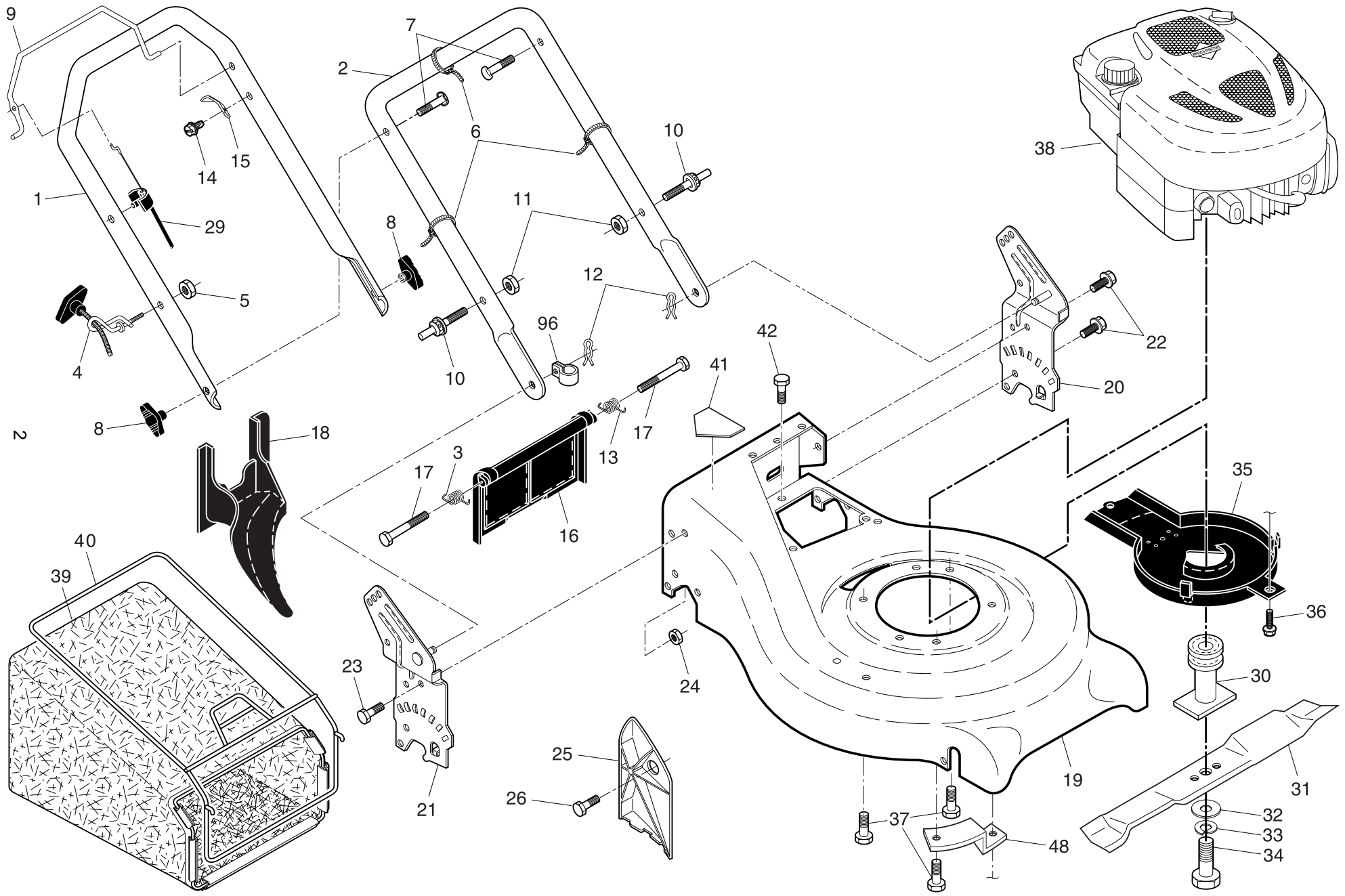
ILLUSTRATED PARTS LIST

MODEL NUMBER 553CM

PRODUCT NUMBER 961 41 00-13

MFG. ID. NUMBER 96141001307

ROTARY LAWN MOWER - - MODEL NUMBER 553CM (96141001307) PRODUCT NUMBER 961 41 00-13



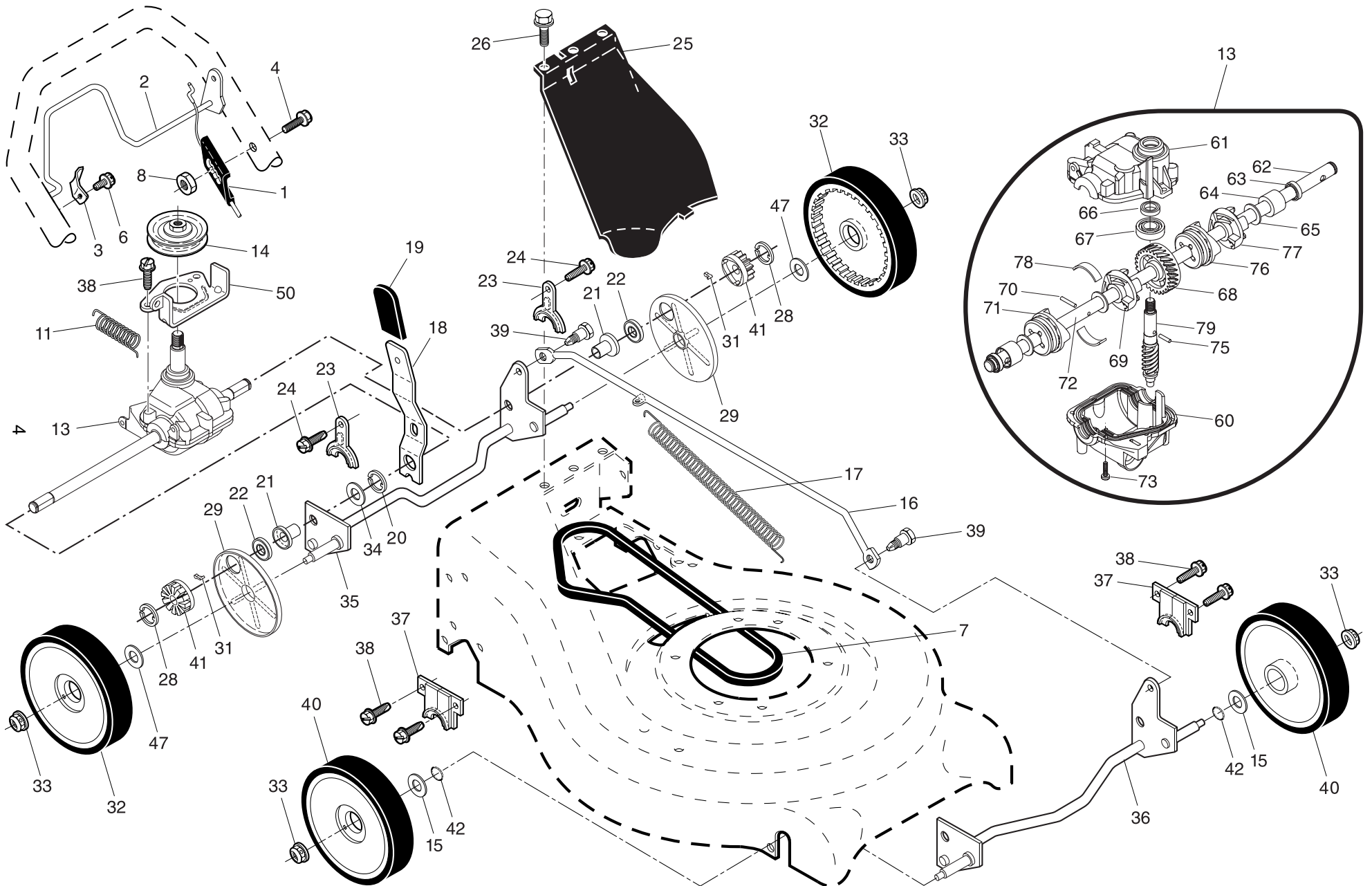
ROTARY LAWN MOWER - - MODEL NUMBER 553CM (96141001307) PRODUCT NUMBER 961 41 00-13

KEY NO.	PART NO.	DESCRIPTION
1	532 17 80-67	Handle, Upper
2	532 19 60-05	Handle, Lower
3	532 40 54-16	Spring, Rear Door, RH
4	532 19 47-88	Guide, Rope, Side
5	532 13 20-04	Nut, Hex, with Lockwasher Insert 1/4-20
6	532 06 64-26	Wire Tie
7	532 19 15-74	Bolt, Handle 5/16-18 x 1.75
8	532 19 19-38	Knob, Handle
9	532 19 18-19	Bar, Control
10	532 18 88-21	Bolt, Carriage
11	532 75 11-53	Nut, Hex, with Lockwasher Insert 5/16-18 UNC
12	532 05 17-93	Cotter, Hairpin
13	532 40 54-15	Spring, Rear Door, LH
14	532 75 06-34	Screw, Tapping, Hex Washer Head #10-24
15	532 12 51-62	Bracket, Upstop
16	532 40 88-88	Rear Door Assembly
17	532 18 41-93	Bolt, Rear Door
18	532 19 81-70	Plug, Mulcher
19	532 40 97-11	Kit, Housing
20	532 19 40-29	Handle Bracket Assembly, LH
21	532 19 40-31	Handle Bracket Assembly, RH
22	532 15 00-78	Screw, Hex Washer Head
23	532 16 31-83	Bolt, Hex Head 5/16-18 x 5/8

KEY NO.	PART NO.	DESCRIPTION
24	873 80 05-00	Nut, Hex, with Lockwasher Insert 5/16-18
25	532 16 13-33	Baffle, Side
26	532 16 34-09	Screw #12 x 5/8
29	532 19 12-21	Cable, Engine Zone Control
30	532 18 91-79	Blade Adapter / Pulley
31	532 19 93-77	Blade, 21"
32	532 85 10-74	Washer, Hardened
33	532 85 02-63	Lockwasher, Helical Spring 3/8
34	532 85 10-84	Screw, Hex Head 3/8-24 x 1.38
35	532 40 48-53	Shield, Debris
36	532 19 23-25	Bolt
37	532 15 04-06	Bolt, Engine
38	---	Engine, Briggs & Stratton, Model Number 12F802 (Order parts from engine manufacturer)
39	532 41 06-76	Grassbag
40	532 40 74-53	Frame, Grassbag
41	532 18 21-66	Danger Decal
42	532 05 45-83	Screw
48	532 19 09-39	Mounting Bracket, Debris Shield
96	532 19 79-91	Clip, Cable
--	532 18 21-34	Warning Decal (not shown)
--	532 41 00-36	Operator's Manual, European
--	532 41 00-37	Operator's Manual, Scandinavian
--	532 41 00-39	Operator's Manual, East Bloc

NOTE: All component dimensions given in U.S. inches. 1 inch = 25.4 mm. **IMPORTANT:** Use only Original Equipment Manufacturer (O.E.M.) replacement parts. Failure to do so could be hazardous, damage your lawn mower and void your warranty.

ROTARY LAWN MOWER - - MODEL NUMBER 553CM (96141001307) PRODUCT NUMBER 961 41 00-13



ROTARY LAWN MOWER - - MODEL NUMBER 553CM (96141001307) PRODUCT NUMBER 961 41 00-13

KEY NO.	PART NO.	DESCRIPTION	KEY NO.	PART NO.	DESCRIPTION
1	532 40 65-31	Cable, Drive Control	36	532 41 09-33	Shaft Assembly, Front
2	532 16 14-73	Bar, Control, Drive	37	532 16 14-63	Retainer, Front Shaft
3	532 16 45-57	Bracket, Downstop	38	532 16 34-09	Screw, Hi-Lo Thread #12 x 5/8
4	532 19 96-87	Screw	39	532 40 70-59	Shoulder Bolt, Hex Washer Head, Semi-Gimlet Point 5/16-18 x 43/64
7	532 40 65-57	V-Belt	40	532 41 13-24	Wheel & Tire Assembly, Front 8 x 1-3/4
8	532 19 17-30	Nut, Hex	41	532 40 48-35	Gear, Pinion
11	532 40 65-58	Spring	42	532 19 74-80	O-Ring
13	532 40 48-39	Gearcase Assembly, Complete	47	532 06 77-25	Washer, Flat 1/2 x 1-1/2 x .134
14	532 40 57-03	Pulley	50	532 41 37-22	Belt Keeper
15	532 08 83-48	Washer, Flat 3/8	60	532 41 27-47	Case, Lower
16	532 40 71-47	Rod, Connecting	61	532 41 27-36	Case, Upper
17	532 40 96-16	Spring, Extension	62	532 41 27-57	Shaft, Output, Long
18	532 19 61-62	Spring, Selector	63	532 18 35-08	Seal, Output Shaft
19	532 19 00-69	Knob, Selector Spring	64	532 18 35-11	Bushing
20	812 00 00-22	E-Ring 7/8	65	532 18 35-09	Washer
21	532 41 24-50	Support, Bearing	66	532 18 35-14	Seal, Worm Shaft
22	532 19 10-39	Bearing, Ball	67	532 18 35-06	Bearing, Ball
23	532 16 45-55	Retainer, Drive Assembly, Stamped	68	532 41 27-42	Gear, 28 Teeth
24	532 05 78-08	Screw, Tapping, Hex Head 1/4-20 x .75	69	532 41 27-39	Fixed Dog Clutch, LH
25	532 40 28-07	Cover, Drive	70	532 41 27-41	Pin, Output Shaft
26	532 75 06-34	Screw, Threaded, Rolled #10-25 x .50	71	532 41 27-40	Movable Dog Clutch, LH
28	812 00 00-58	E-Ring 7/16	72	532 41 27-56	Shaft, Output, Short
29	532 18 94-03	Cover, Dust, Wheel	73	532 18 35-13	Screw, Case
31	532 40 48-45	Pawl, Drive	75	532 41 27-46	Pin, Worm Shaft
32	532 41 35-70	Wheel & Tire Assembly, Rear, Driven 8 x 1-3/4	76	532 41 27-44	Fixed Dog Clutch, RH
33	532 40 91-48	Nut, Hex, Flangelock	77	532 41 27-43	Movable Dog Clutch, RH
34	532 85 12-26	Washer	78	532 41 07-31	Spring, Leaf
35	532 41 09-22	Shaft Assembly, Rear	79	532 41 27-37	Shaft, Worm

NOTE: All component dimensions given in U.S. inches. 1 inch = 25.4 mm. **IMPORTANT:** Use only Original Equipment Manufacturer (O.E.M.) replacement parts. Failure to do so could be hazardous, damage your lawn mower and void your warranty.